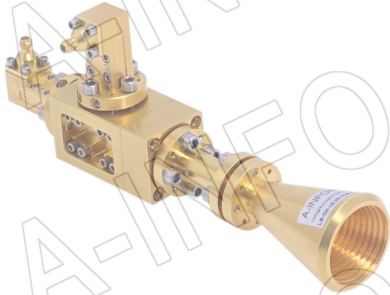


For reference only. See data sheet for the detailed specifications.

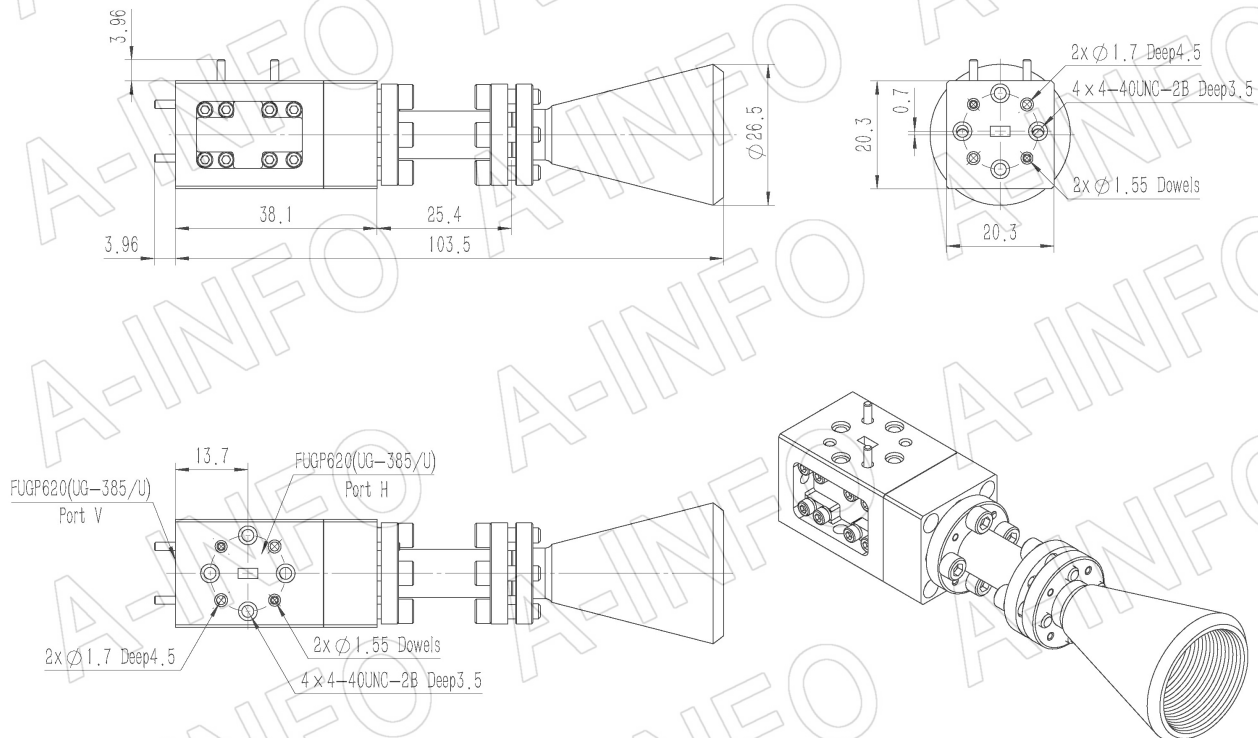
Technical Specification



Frequency Range(GHz)	A Type, WG output: 50.0 – 66.0
	C Type, 1.0mm-F: 50.0 – 66.0
	C Type, 1.85mm-F: 50.0 – 65.0
Waveguide	WR15
Gain(dBi)	20 Typ.
Polarization	Dual Linear
3dB Beamwidth(deg)	E Plane: 20 Typ.
	H Plane: 20 Typ.
Cross Pol. Isolation(dB)	40 Typ.
Port to Port Isolation(dB)	40 Typ. ; 30 Min.
VSWR	A Type: 1.5:1 Typ.
	C Type: 2.0:1 Typ.
Output	A Type: FUGP620(UG-385/U)
	C Type: 1.0mm-Female or 1.85mm-Female
Material	Cu
Finish	Gold Plated
Size(mm)	A Type: 26.5 x 26.5 x 103.5
	C Type: 28.7 x 48.8 x 128.9
Net Weight(Kg)	A Type: 0.18 Around
	C Type: 0.23 Around

Outline Drawing (Size: mm)

FUGP620 Output (P/N: LB-CH-15-20-T06-A)



AINFO Inc.

China(Beijing): Tel: (+86) 10-6266-7326,
China(Chengdu): Tel: (+86) 28-8519-2786,
USA : Tel: (+1) 949-639-9688,

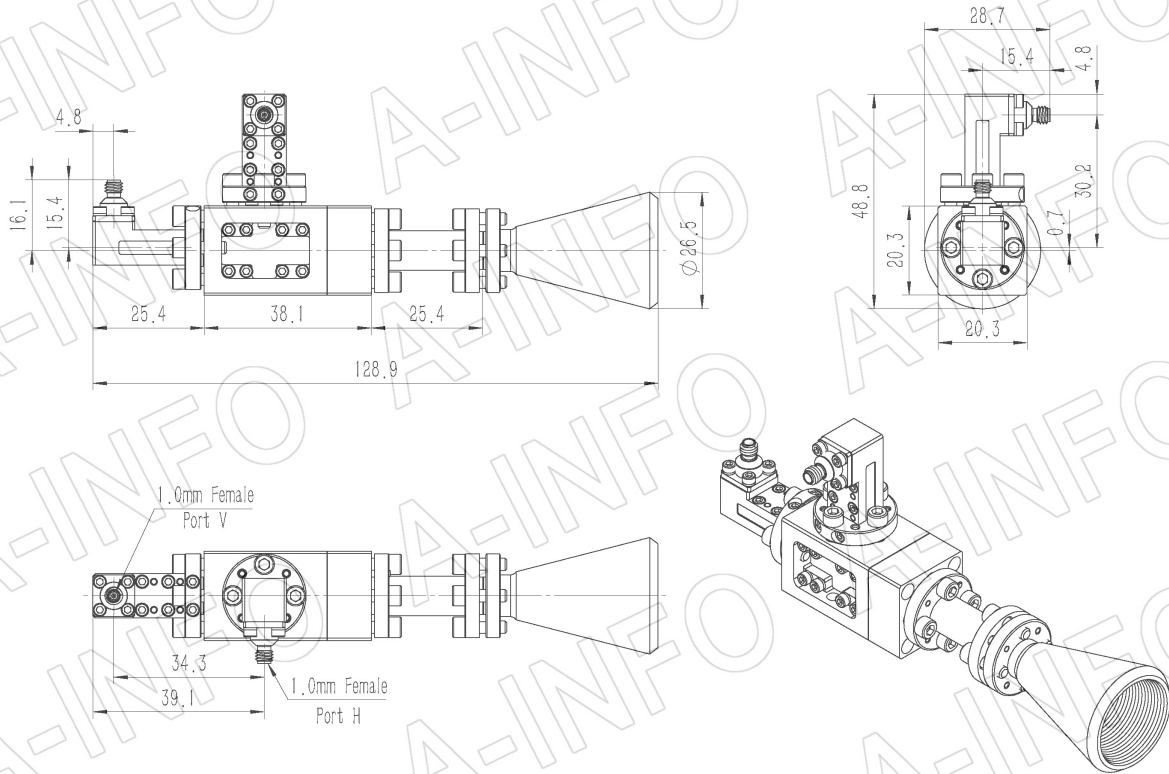
Page 1 of 13

(+86) 10-6266-7327 Fax: (+86) 10-6266-7379
(+86) 28-8519-3044 Fax: (+86) 28-8519-3068
(+1) 949-639-9608 Fax: (+1) 949-639-9670

Website: www.ainfoinc.com
Email: sales@ainfoinc.com

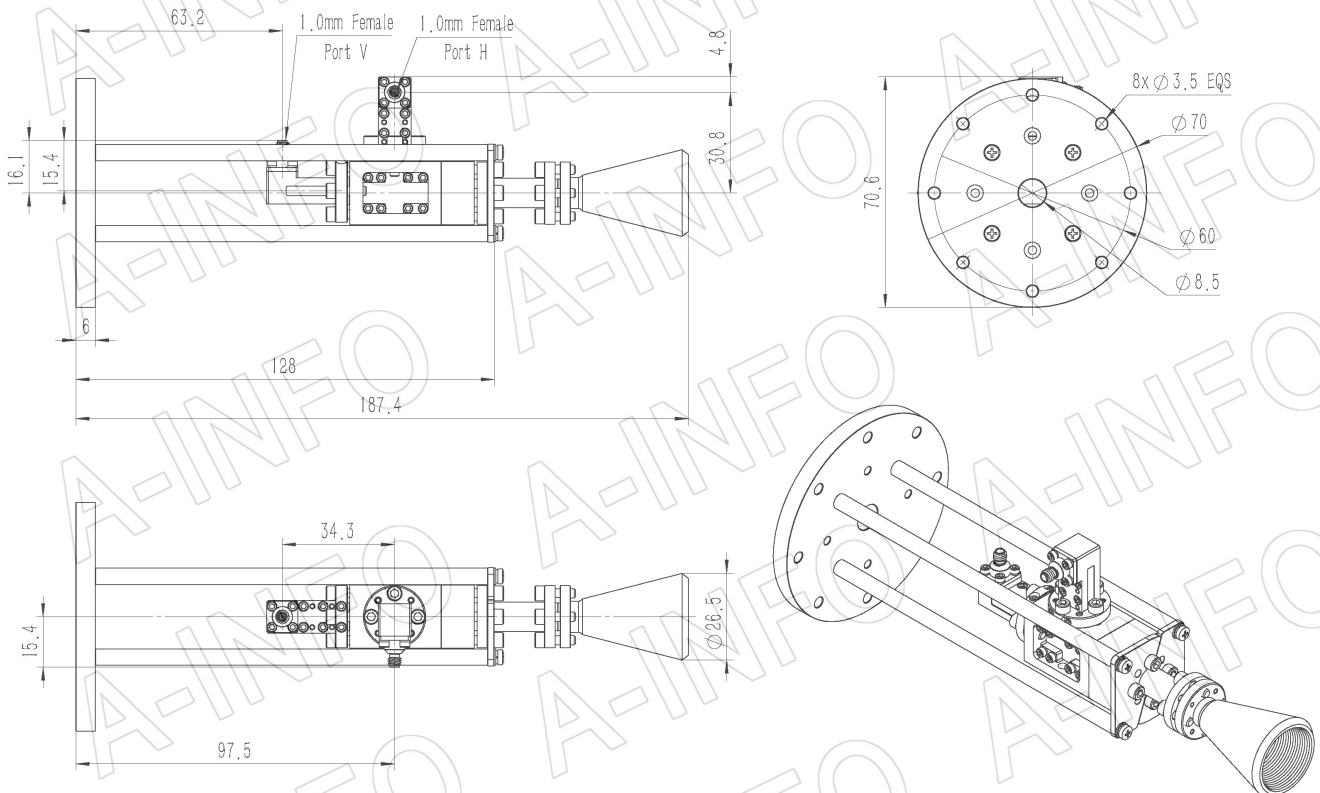
1.0mm-Female Output (P/N: LB-CH-15-20-T06-C-1.0F)

For 1.85mm-Female output outline drawing, please contact A-INFO.



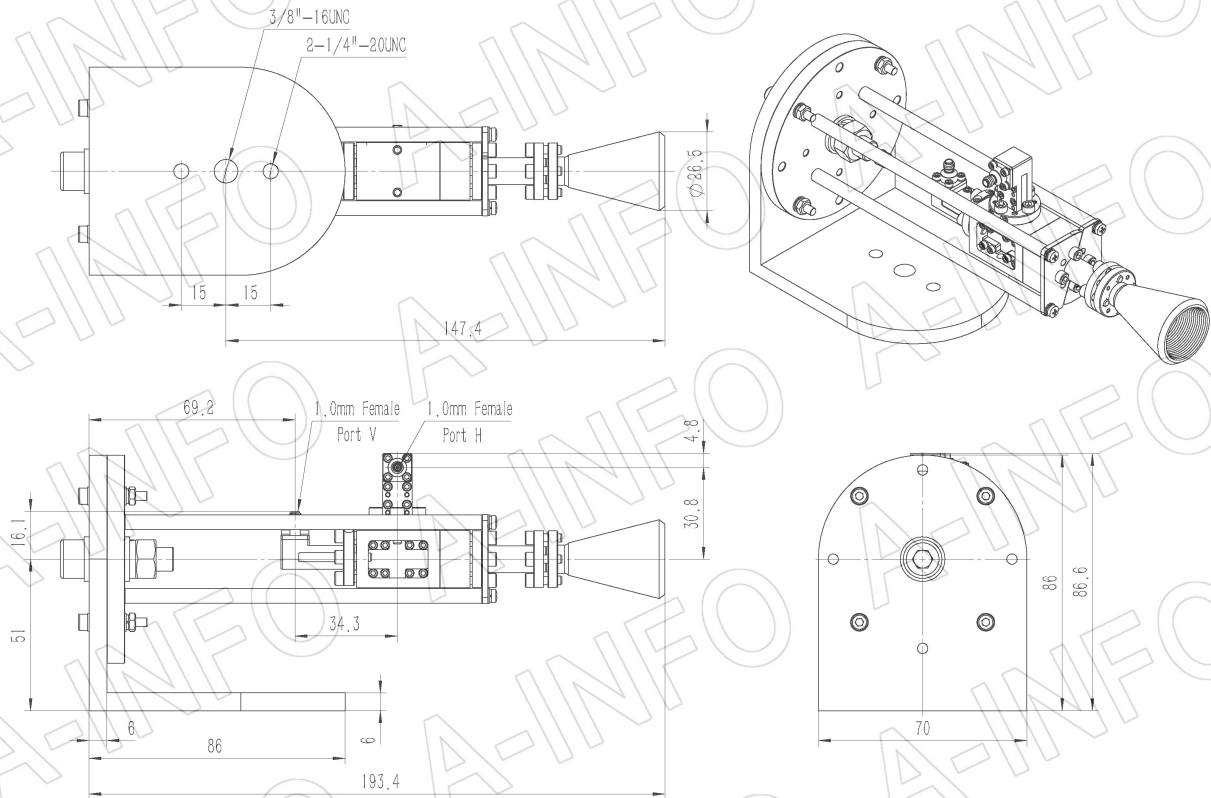
1.0mm-Female Output with Round Mounting Bracket (Option, P/N: LB-CNH-15-15-MB)

For 1.85mm-Female output outline drawing, please contact A-INFO.

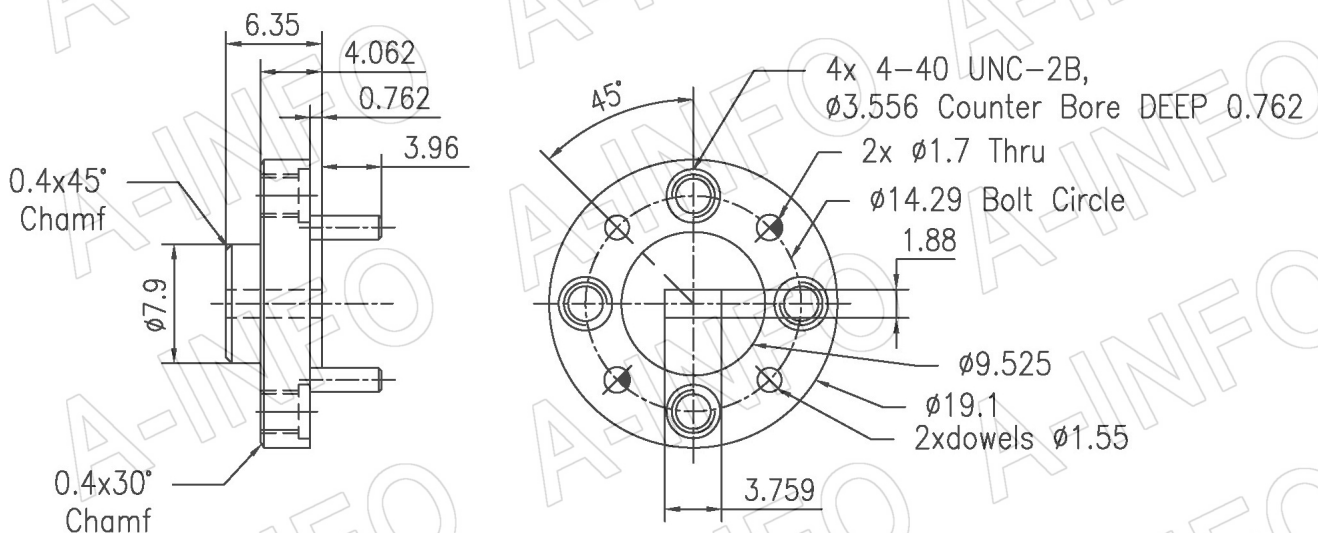


1.0mm-Female Output with L Type Mounting Bracket (Option, P/N: LB-CNH-15-15-MBL)

For 1.85mm-Female output outline drawing, please contact A-INFO.



Flange Drawing (Size: mm)



FUGP620
(equivalent to UG-385/U)

AINFO Inc.

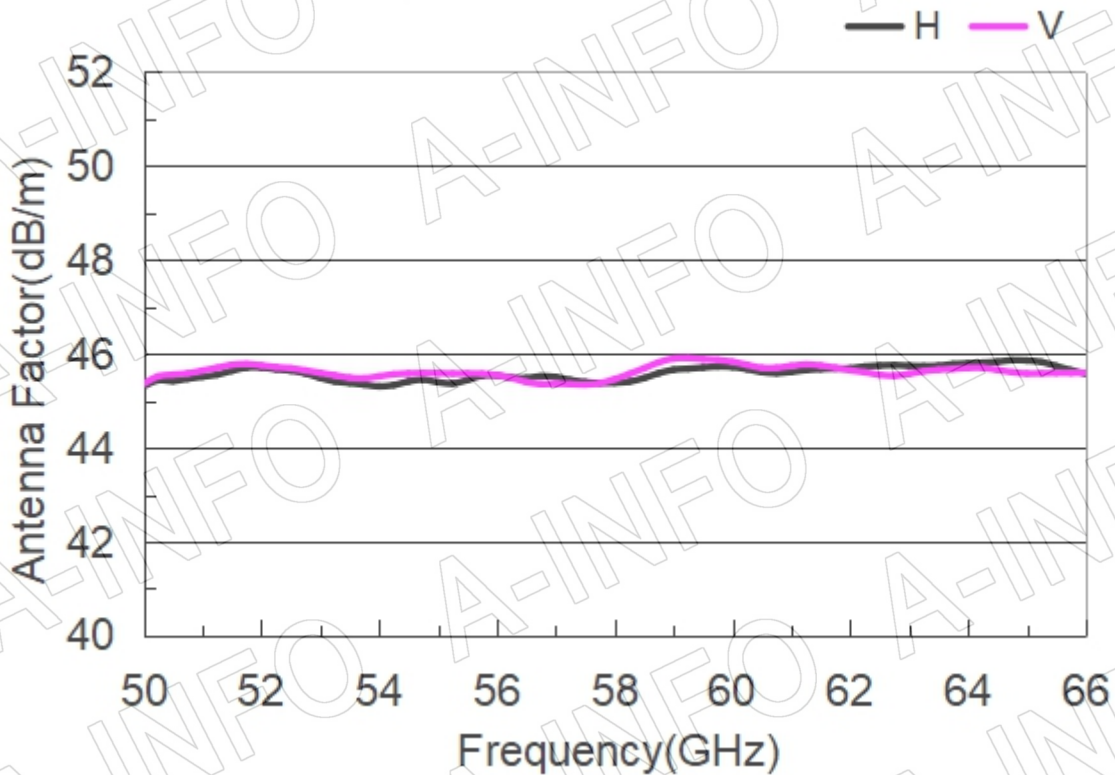
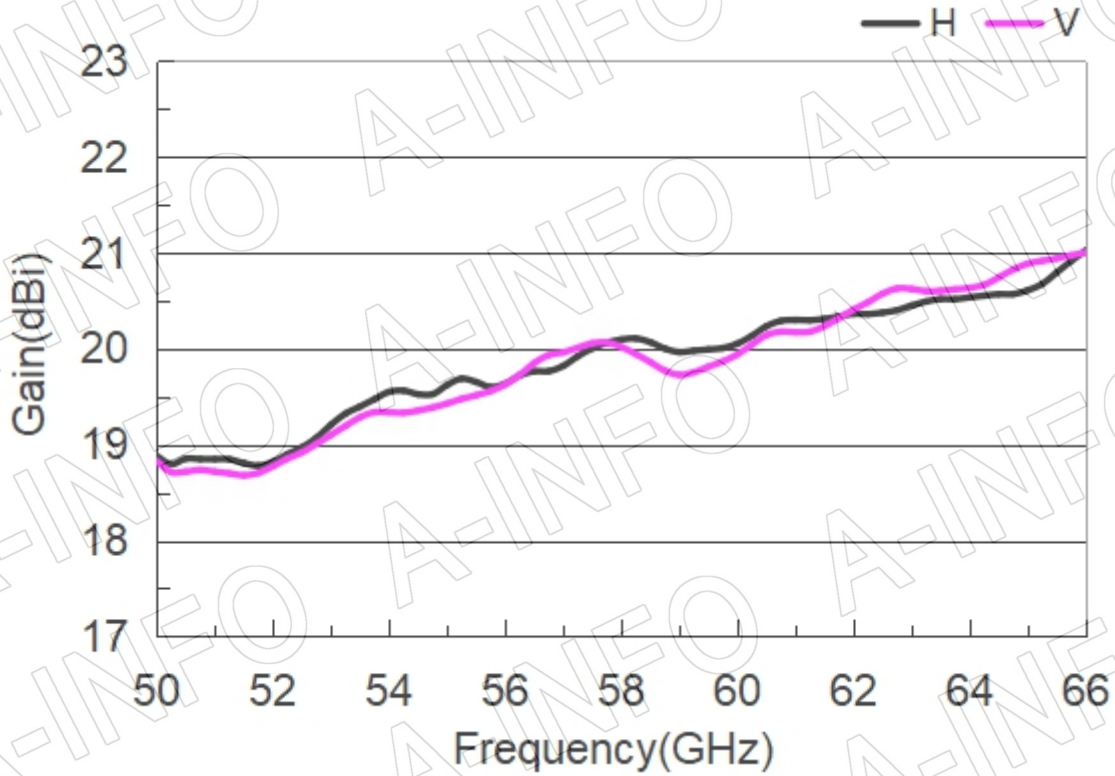
China(Beijing): Tel: (+86) 10-6266-7326,
China(Chengdu): Tel: (+86) 28-8519-2786,
USA: Tel: (+1) 949-639-9688,

Page 3 of 13
(+86) 10-6266-7327 Fax: (+86) 10-6266-7379
(+86) 28-8519-3044 Fax: (+86) 28-8519-3068
(+1) 949-639-9608 Fax: (+1) 949-639-9670

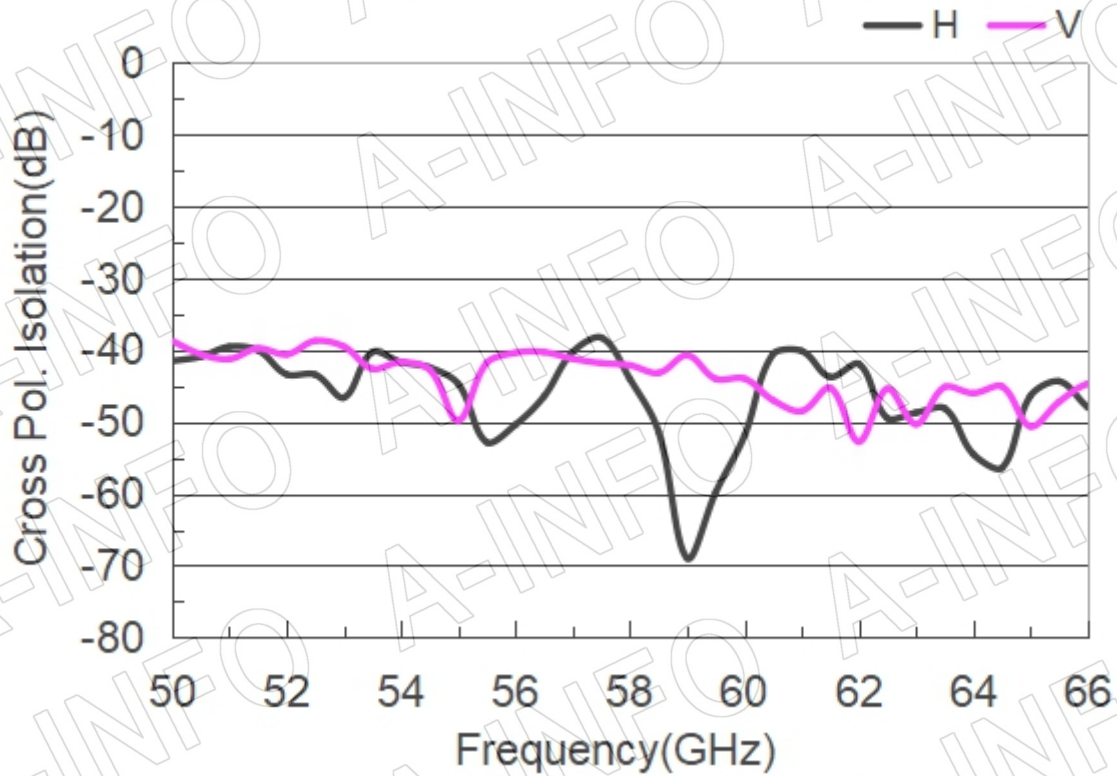
Website: www.ainfoinc.com
Email: sales@ainfoinc.com

Test Results

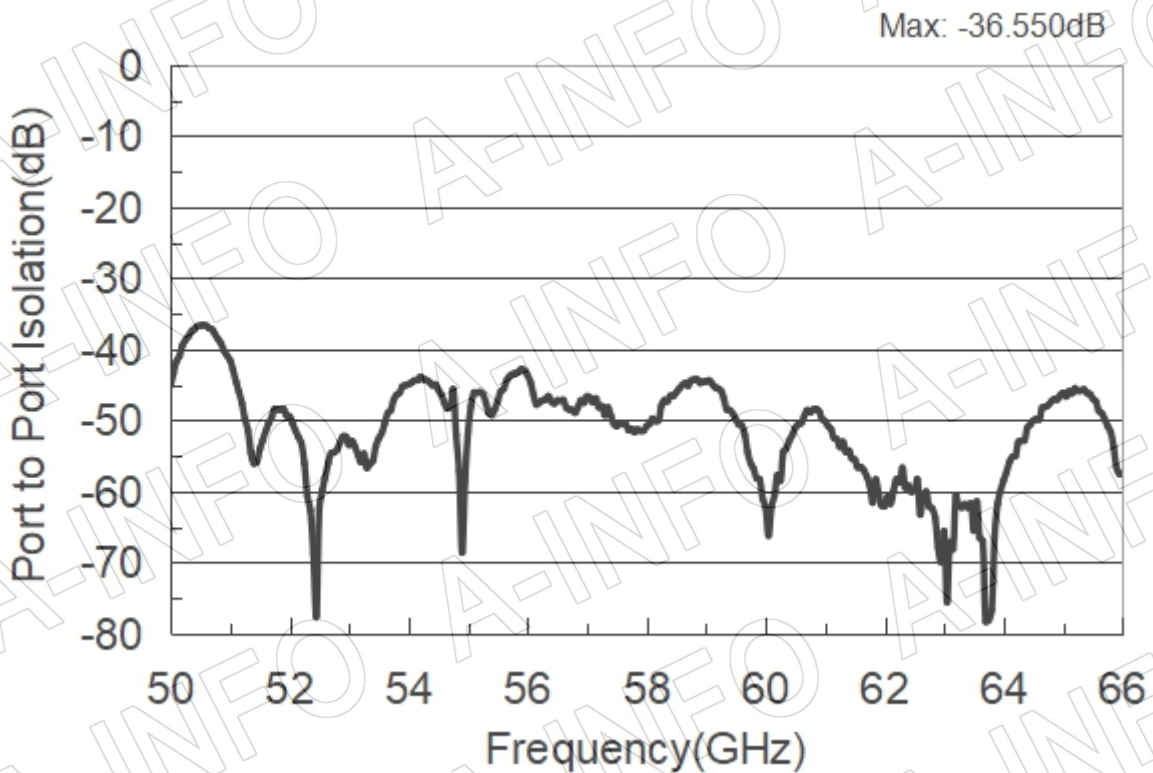
1. Gain & Antenna Factor



2. Cross Polarization Isolation

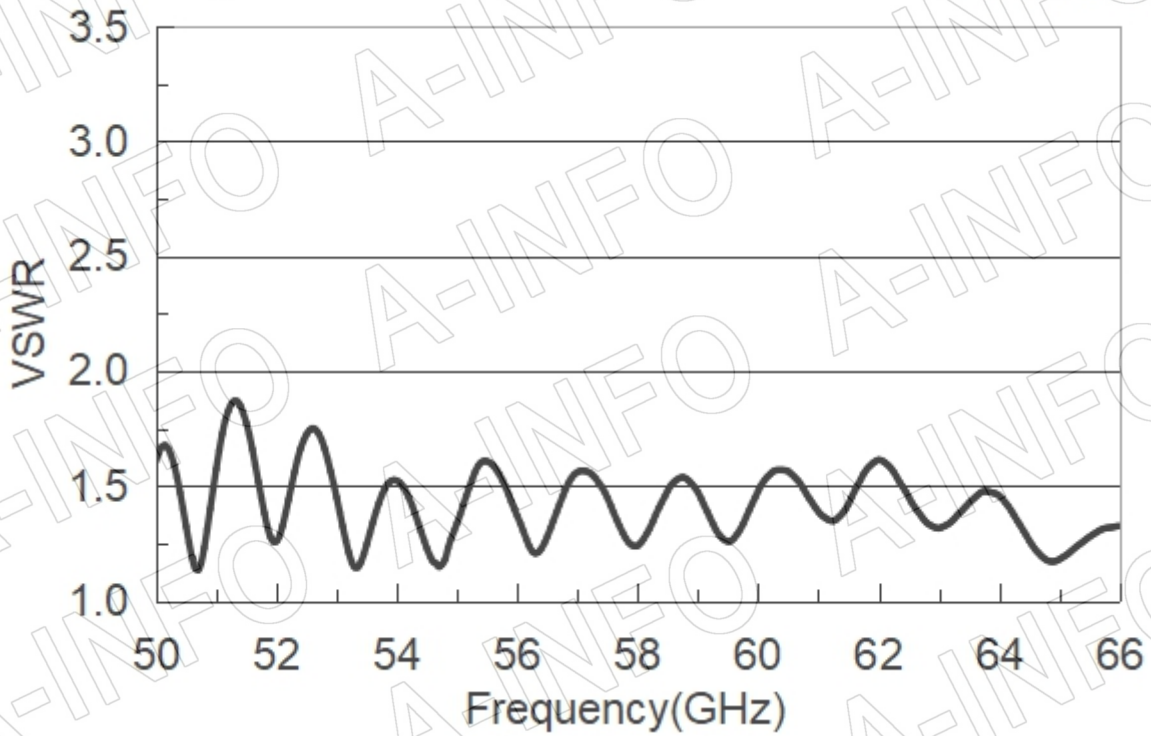


3. Port to Port Isolation



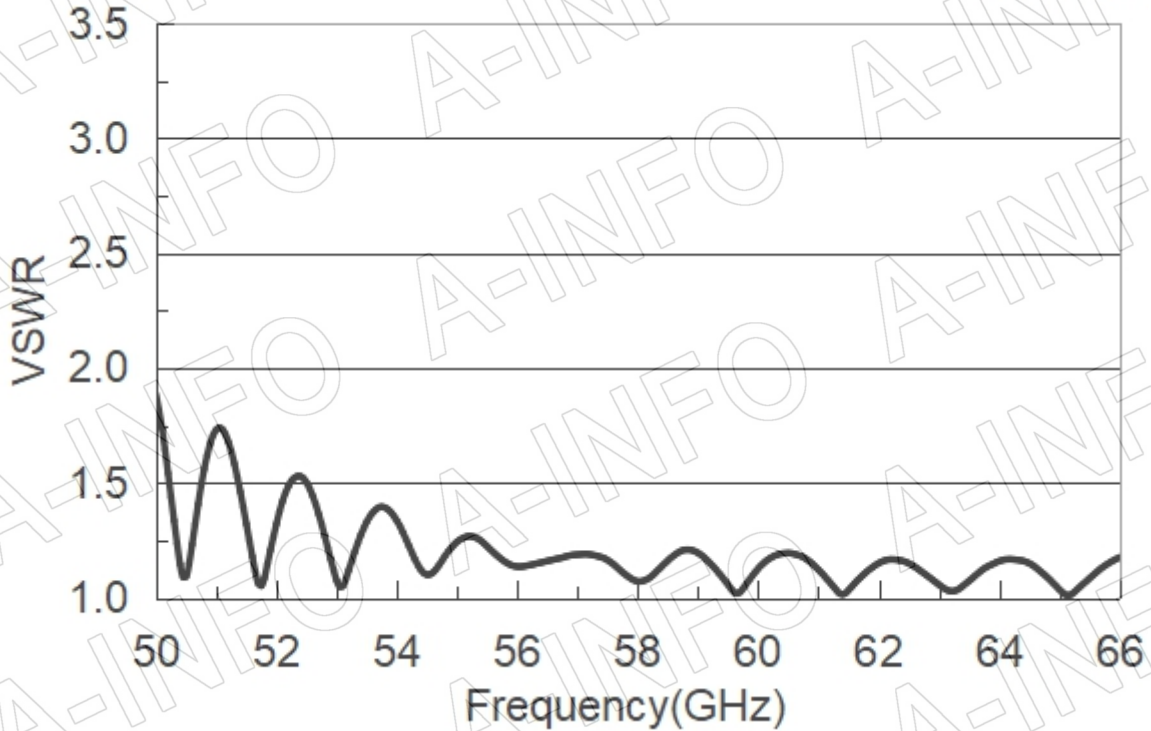
4. VSWR_A Type Port-H

Max: 1.875



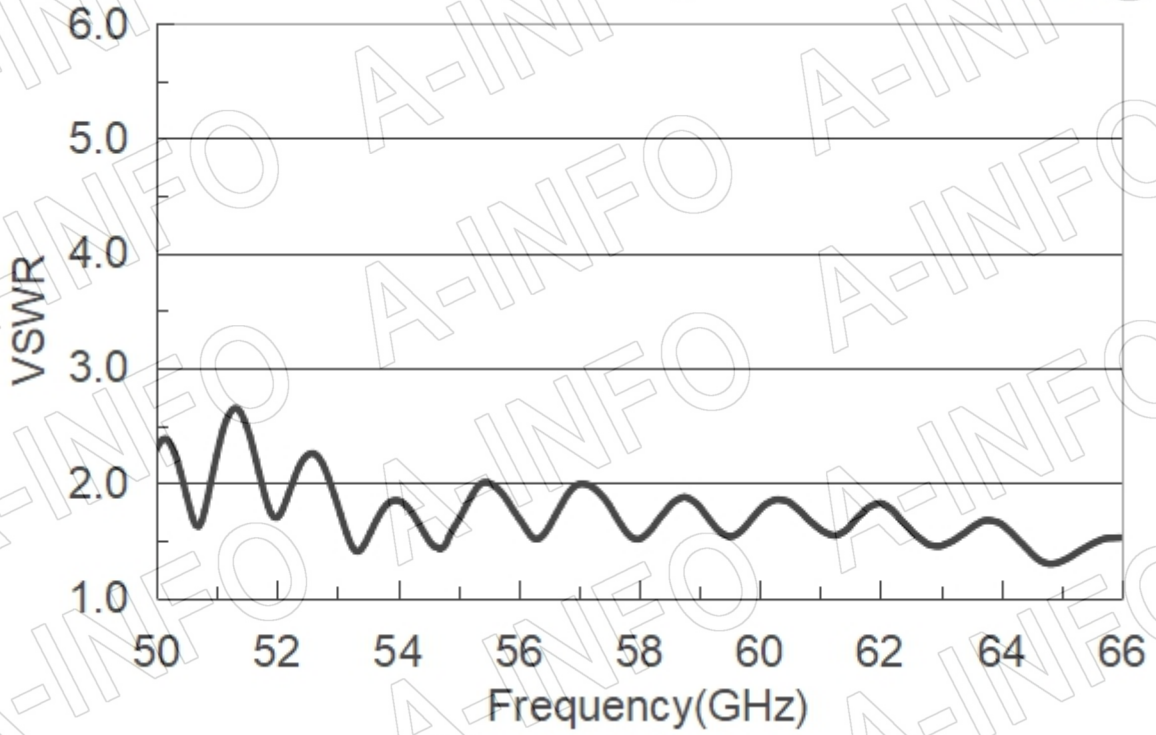
Port-V

Max: 1.884



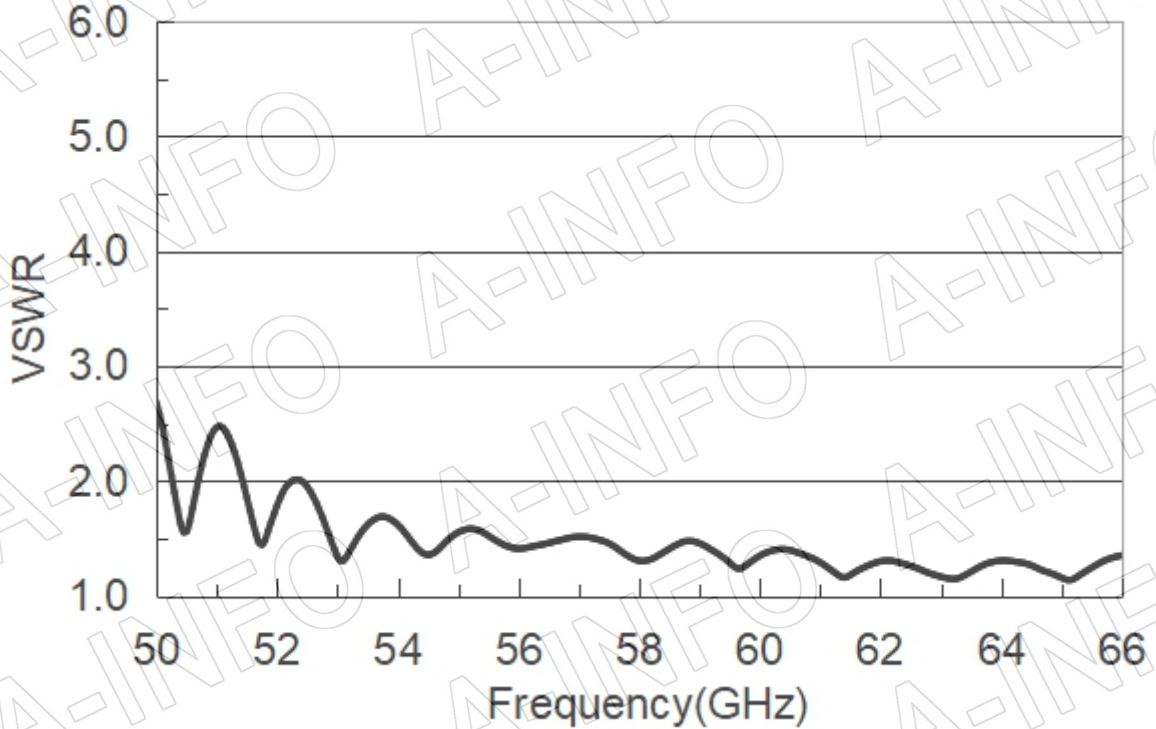
VSWR_C Type
Port-H

Max: 2.656

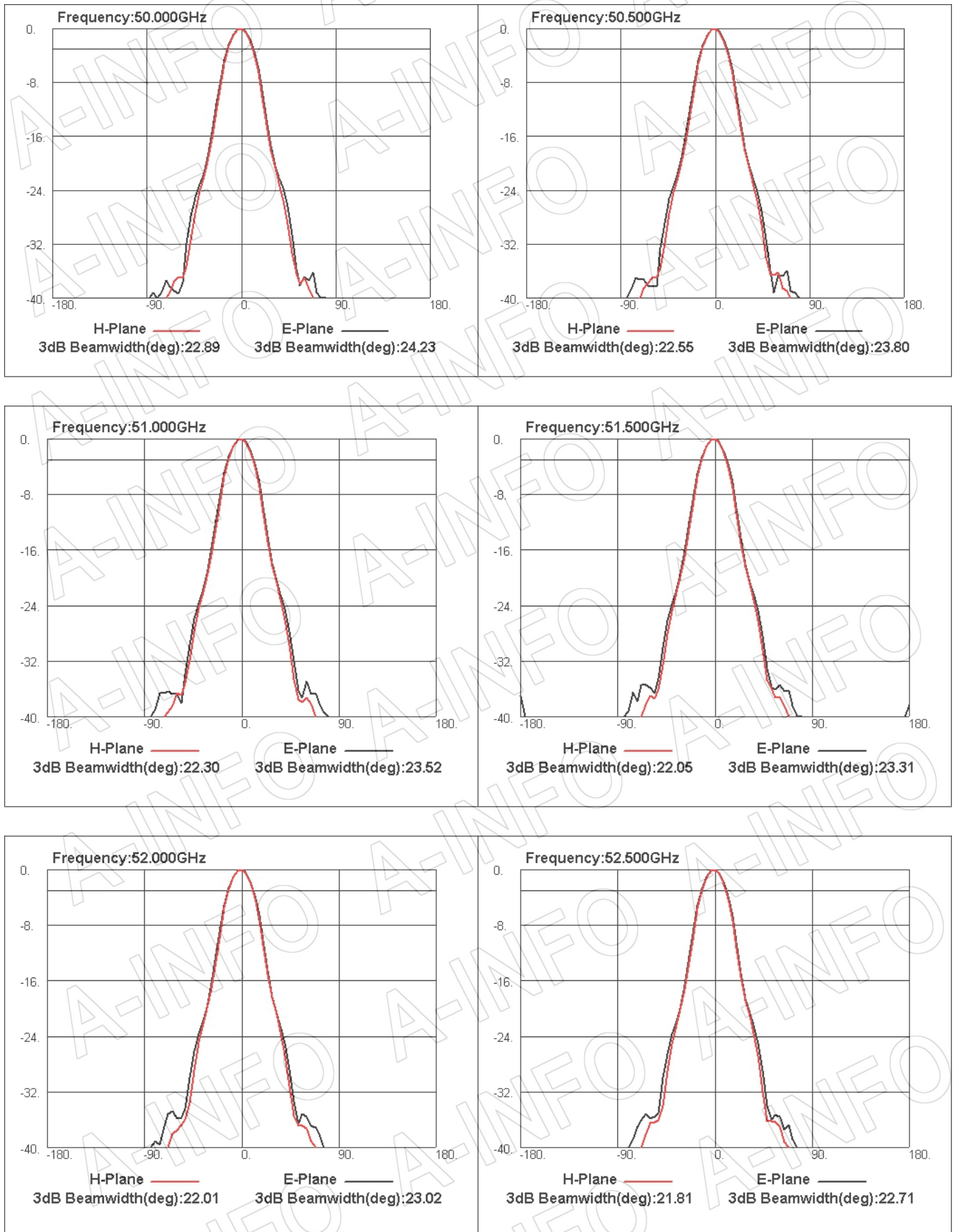


Port-V

Max: 2.684



5. Pattern



AINFO Inc.

China(Beijing):
China(Chengdu):
USA :

Tel: (+86) 10-6266-7326,
Tel: (+86) 28-8519-2786,
Tel: (+1) 949-639-9688,

(+86) 10-6266-7327
(+86) 28-8519-3044
(+1) 949-639-9608

Page 8 of 13

Fax: (+86) 10-6266-7379
Fax: (+86) 28-8519-3068
Fax: (+1) 949-639-9670

Website: www.ainfoinc.com
Email: sales@ainfoinc.com

